



**24 HOUR SERVICE**  
**CALL TOLL FREE 1-800-982-3390**

501 Bark Street • Harvey, LA 70058  
 504-367-8880  
 Fax 504-367-8960

S.T. \_\_\_\_\_

O.T. \_\_\_\_\_

NAME: \_\_\_\_\_

**ROTOR COIL DATA**

CUSTOMER \_\_\_\_\_ MFG. \_\_\_\_\_ H.P./K.W. \_\_\_\_\_

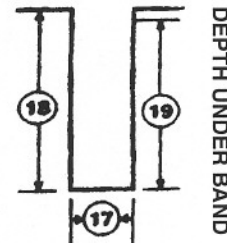
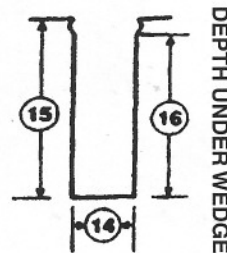
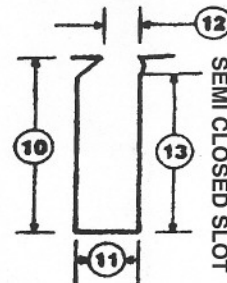
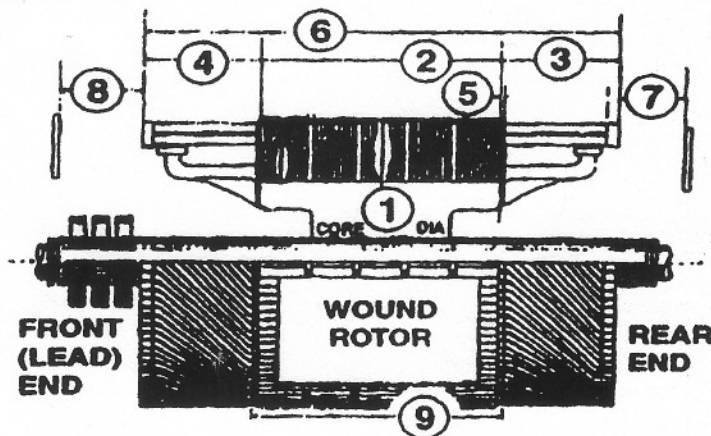
ADDRESS \_\_\_\_\_ R.P.M. \_\_\_\_\_ FRAME \_\_\_\_\_

CITY \_\_\_\_\_ VOLTS \_\_\_\_\_ AMPS \_\_\_\_\_

STATE \_\_\_\_\_ ZIP \_\_\_\_\_ MODEL \_\_\_\_\_

TEL. NO. \_\_\_\_\_ TYPE \_\_\_\_\_ STYLE \_\_\_\_\_

P.O. NO. \_\_\_\_\_ DATE \_\_\_\_\_ S/N \_\_\_\_\_



No. Slots \_\_\_\_\_

Coil span 1 and \_\_\_\_\_

Turns per coil \_\_\_\_\_

Coils per slot ( ) \_\_\_\_\_

Wave  or Lap

Right or Left top coil facing ring end \_\_\_\_\_

Leads Bare  Tin

Wire size \_\_\_\_\_

Strand Insulation \_\_\_\_\_ Edge or Flat \_\_\_\_\_

No Wires in hand ( ) \_\_\_\_\_ Wide x \_\_\_\_\_ High \_\_\_\_\_

Type Ins. Cured  V.P.I.

Weight per coil or bar \_\_\_\_\_

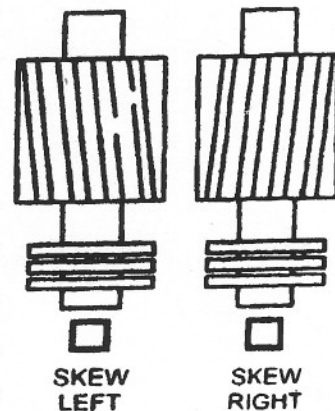
Opp connection End Knuckle or Clip \_\_\_\_\_

Clips Required Yes or No \_\_\_\_\_

# of Clips Conn End \_\_\_\_\_ # of Clips Opp Conn End \_\_\_\_\_

1. Core Dia
2. Iron Length
3. Coil Ext Opp Conn End
4. Coil Ext Conn End
5. Finger Length
6. Total Coil Length
7. Clearance Opp Conn
8. Clearance Conn
9. Finger to Finger
10. Total Slot Depth
11. Slot Width
12. Semi Opening
13. Below Wedge
14. Slot Width
15. Total Slot Depth
16. Below Wedge
17. Slot Width
18. Total Slot Depth
19. Below Band

**SKEWEDED SLOTS**



REMARKS \_\_\_\_\_